

EGRET Aviation



Aircraft Galley Equipment

Cabin Service Carts
Standard Containers
Oven Racks
Drawers
Baby Bassinets

APPROVED BY EASA FAA CAAC

Company Profile of Egret Aviation

Egret Aviation specialises in designing and manufacturing of on-board galley equipment for the aviation and railway industries. The core products of the company include cabin service carts, standard containers, oven racks and inserts, drawers, folding trolleys and other associated parts and components.

The management team of the company has extensive knowledge with decades of experience in the industry, which enables the company to be successful in a competitive environment.

We offer global markets ATLAS, KSSU, and ACE standards, as well as customised equipment.

Besides the necessary national CAA approvals, Egret also holds:

- **EASA ADOA** (Alternative Procedures to Design Organization Approval)
- **EASA ETSOA** (Technical Standard Order Authorization)
- **EASA POA** (Production Organization Approval)
- **EASA MCA** (Minor Change Approval)
- **FAA TSOA** (through LODA, Letter of Design Approval)
- **AS9100 & ISO9001.**



By 2018, both The Boeing Company and COMAC have made Egret an offerable supplier of BFE/SPE programmes.

The key advantage of our company is to satisfy our customers by supplying certified products of high quality and at competitive prices in short lead-times.

Through high levels of flexible production and cost efficiencies, Egret aviation's enthusiastic and dedicated team are willing to share the benefits of this with all of its business partners.

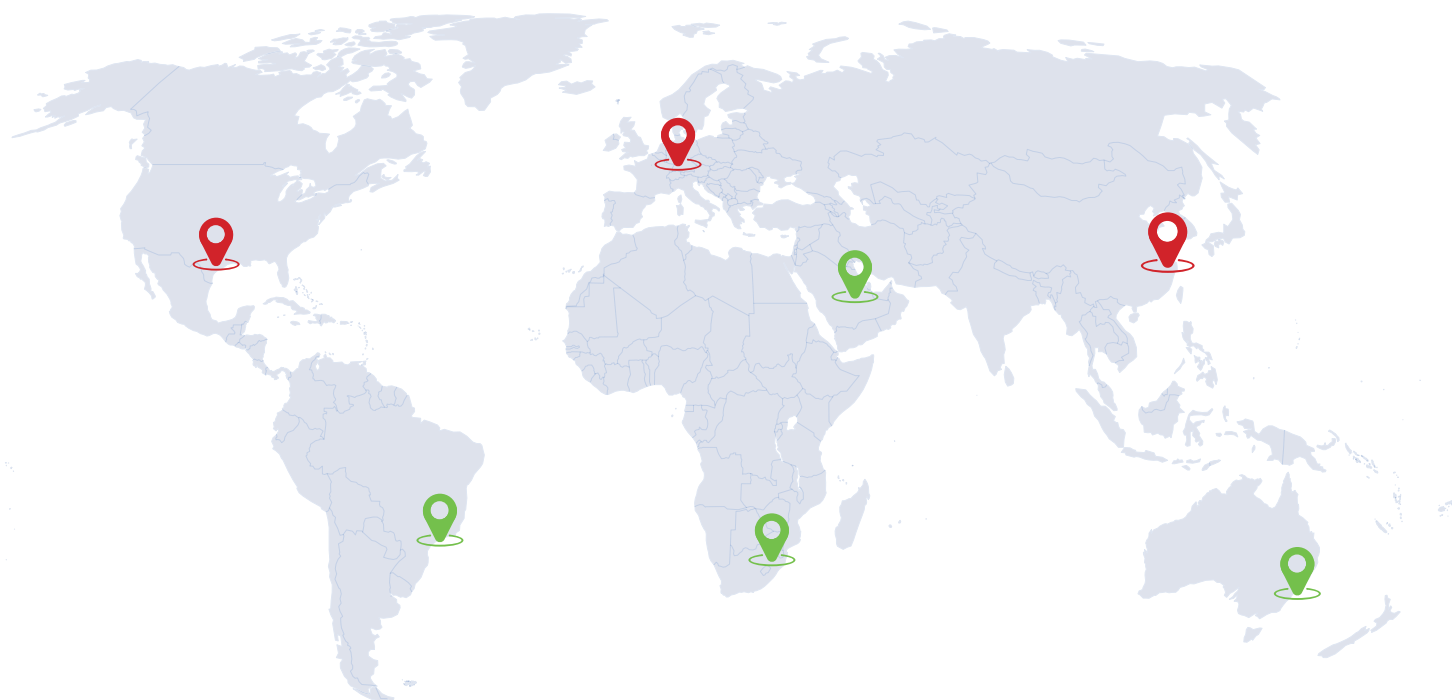
We do not believe in resting on our laurels. We are constantly working and striving to introduce modern solutions whilst closely observing market trends to develop new items to cater to our customers' expectations and requirements.



Localization Service for Global Market

Egret Aviation is a global manufacturer of premium quality aircraft galley equipment. We serves hundreds of international airline customers and some famous railway companies as well as train makers covering all the continentals.

Egret has set up branches in Germany and the United States, and stocked up on inventory to cope with faster market demand. We also has distribution partners all over the world. Contact us to get our cooperation off to a start.



Egret Aviation Co., Ltd (Headquarter)

Address: 71 Jiangpu Road
Suzhou, Jiangsu 215126, China
Tel: +86 512 6238 7800
Email: info@egret.aero

Egret Aviation Europe GmbH.

Address: Siemensstrasse 5
50354 Huerth, Germany
Tel: +49 173 406 4000
Email: europe@egret-aviation.com

Egret Aviation, Americas LLC.

Address: 2114 Pipeline Road
Suite 216, Euless, Texas 76040, USA
Tel: +1 214 846 0400
Email: Americas@egret-aviation.com

Distribution Partners

Americas

Brazil

Middle East

Saudi Arabia

Africa

South Africa

Australasia

Australia

Meal and Beverage Cart

M-1 Series



M-1 Series Meal and Beverage Cart

M-1 Series carts are designed to be more ergonomic while keeping its weight low and maintaining the same strength and robustness as the earlier generations. The new series provides better comfort and smoother operation by having rounder profiles and larger handles. Insulation properties have also been improved in the new design.

ATLAS, KSSU, ACE or customized configurations are available.



FEATURES AND OPTIONS

- With or without dry ice tray
- Choice of chiller vents
- Embossed logo on request
- Choice of decorative colors or customized artwork
- Logo plate
- Silkscreen logo
- Card holders or destination plates
- Kick plate



Ergonomic

Rounded aluminum extrusions and connections, larger handles and curvature for better handling.



Better Insulation Properties

Silicone door seal, and sandwich panels with insulation foams inside.



Lightweight

Full Size Cart empty weight from 16.6 kg, Half Size Cart empty weight from 10.6 kg.

M-1 Series ATLAS Meal and Beverage Carts:

Part Number	Dimensions (mm)	Remarks
T150A05()	810 × 301 × 1030	Full Size, With Dry Ice Trays
T150A04()	810 × 301 × 1030	Full Size, With Dry Ice Trays & Chiller Vents
T151A05()	810 × 301 × 1030	Full Size, Without Dry Ice Tray
T400A05()	405 × 301 × 1030	Half Size, With Dry Ice Tray
T401A05()	405 × 301 × 1030	Half Size, Without Dry Ice Tray

Waste Cart

M-1 Series



M-1 Series Waste Cart

M-1 Series carts are designed to be more ergonomic while keeping its weight low and maintaining the same strength and robustness as the earlier generations. The new series provides better comfort and smoother operation by having rounder profiles and larger handles.

ATLAS, KSSU, ACE or customized configurations are available.



FEATURES AND OPTIONS

- Top load only or top and door load with high or low bin
- Embossed logo on request
- Choice of decorative colors or customized artwork
- Logo plate
- Silkscreen logo
- Card holders or destination plates
- Kick plate



Ergonomic

Rounded aluminum extrusions and connections, larger handles and curvature for better handling.



Larger Capacity

The redesigned waste bin can stow more waste during cabin service.



Lightweight

Full Size Waste Cart empty weight from 15.1 kg, Half Size Waste Cart empty weight from 10.8 kg.

M-1 Series ATLAS Waste Carts:

Part Number	Dimensions (mm)	Remarks
T610A04()	810 × 301 × 1030	Full Size, Top & Door Load. P/N of Bin: MM0041-A01
T610A05()	810 × 301 × 1030	Full Size, Top Load. P/N of Bin: MM0044-A01
T660A04()	405 × 301 × 1030	Half Size, Top & Door Load. P/N of Bin: MM0042-A01
T660A05()	405 × 301 × 1030	Half Size, Top Load. P/N of Bin: MM0045-A01

Meal and Beverage Cart

Lightweight



Lightweight Meal and Beverage Cart

Lightweight Carts are made of high-grade aluminum alloy extrusions and sheets, stainless steel hardware, and insulation foams which meet all fire property requirements.

Egret Lightweight carts are made by using CNC technology to further optimize the structures with special lightweight castor wheels.

ATLAS, KSSU, ACE or customized configurations are available.



FEATURES AND OPTIONS

- With or without dry ice tray
- Choice of chiller vents
- Embossed logo on request
- Choice of decorative colors or customized artwork
- Logo plate
- Silkscreen logo
- Card holders or destination plates
- Kick plate



Complete Range, Fully Certified

Egret ATLAS, KSSU, ACE lightweight meal and beverage carts are certified by EASA, FAA and CAAC.

Lightweight

Full Size Cart empty weight from 16.0 kg, Half Size Cart empty weight from 10.3 kg.

Ready Stock

Hundreds of carts are stocked in the US, Germany and China warehouses for faster delivery.

Lightweight ATLAS Meal and Beverage Carts:

Part Number	Dimensions (mm)	Remarks
TF0021-A01	810 × 301 × 1030	Full Size, With Dry Ice Trays
TF0021-A02	810 × 301 × 1030	Full Size, With Dry Ice Trays & Chiller Vents
TF0022-A01	810 × 301 × 1030	Full Size, Without Dry Ice Tray
TH0023-A01	405 × 301 × 1030	Half Size, With Dry Ice Tray
TH0024-A01	405 × 301 × 1030	Half Size, Without Dry Ice Tray

Meal and Beverage Cart

Reduced Weight



Reduced Weight Meal and Beverage Cart

Reduced weight carts are made of high-grade aluminum alloy extrusions and sheets, stainless steel hardware, and insulation foams that satisfy all fire property requirements.

Conventional carts have been proven for decades. Such carts are still the most popular ones in use onboard as meal and beverage carts by most airlines worldwide.

ATLAS, KSSU, ACE or customized configurations are available.



FEATURES AND OPTIONS

- With or without dry ice tray
- Choice of chiller vents
- Embossed logo on request
- Choice of decorative colors or customized artwork
- Logo plate
- Silkscreen logo
- Card holders or destination plates
- Kick plate



Complete Range, Fully Certified

Egret ATLAS, KSSU, ACE reduced weight meal and beverage carts are certified by EASA, FAA and CAAC.

Robust

High-grade aluminum alloy and stainless steel hardware with modular design and assembly.

Ready Stock

Hundreds of carts are stocked in the US, Germany and China warehouses for faster delivery.

Reduced Weight ATLAS Meal and Beverage Carts:

Part Number	Dimensions (mm)	Remarks
TF0001-A02	810 × 301 × 1030	Full Size, With Dry Ice Trays
TF0001-A01	810 × 301 × 1030	Full Size, With Dry Ice Trays & Chiller Vents
TF0005-A01	810 × 301 × 1030	Full Size, Without Dry Ice Tray
TH0003-A01	405 × 301 × 1030	Half Size, With Dry Ice Tray
TH0004-A01	405 × 301 × 1030	Half Size, Without Dry Ice Tray

Waste Cart

Reduced Weight



Reduced Weight Waste Cart

Reduced weight carts are made of high-grade aluminum alloy extrusions and sheets, stainless steel hardware, and insulation foams that satisfy all fire property requirements.

Conventional carts have been proven for decades. Such carts are still the most popular ones in use onboard as waste carts by most airlines worldwide.

ATLAS, KSSU, ACE or customized configurations are available.



FEATURES AND OPTIONS

- Top load only or top and door load with high or low bin
- Embossed logo on request
- Choice of decorative colors or customized artwork
- Logo plate
- Silkscreen logo
- Card holders or destination plates
- Kick plate



Complete Range, Fully Certified

Egret ATLAS, KSSU, ACE reduced weight waste carts are certified by EASA, FAA and CAAC.

Robust

High-grade aluminum alloy and stainless steel hardware with modular design and assembly.

Ready Stock

Hundreds of carts are stocked in the US, Germany and China warehouses for faster delivery.

Reduced Weight ATLAS Waste Carts:

Part Number	Dimensions (mm)	Remarks
TF0011-A01	810 × 301 × 1030	Full Size, Top & Door Load. P/N of Bin: MM0008-A01
TF0011-A02	810 × 301 × 1030	Full Size, Top Load. P/N of Bin: MM0016-A01
TH0007-A01	405 × 301 × 1030	Half Size, Top & Door Load. P/N of Bin: MM0007-A01
TH0007-A02	405 × 301 × 1030	Half Size, Top Load. P/N of Bin: MM0006-A01

Duty-free Sales Cart

Reduced weight transparent sales carts are made of high-grade aluminum alloy extrusions and sheets, special Lexan sheets and stainless steel hardware.

ATLAS, KSSU, ACE or customized configurations are available.



ATLAS Duty-free Sales Carts:

Part Number	Dimensions (mm)	Remarks
TF0020-A02	810 x 301 x 1030	Full Size
TH0085-A02	405 x 301 x 1030	Half Size

Container Cart

Container carts are used to store meal containers for meal service. The reduced weight container carts are made of high-grade aluminum alloy extrusions and sheets, stainless steel hardware.

ATLAS, KSSU, ACE or customized configurations are available.



Container Carts:

Part Number	Dimensions (mm)	Remarks
TF0026-A01	816 x 304 x 1030	Full Size, P/N of Container: CF0008-A01
TH0071-A01	422 x 304 x 1030	Half Size, P/N of Container: CF0008-A01

Foldable Cart

Foldable carts are mainly used for meal service for first or business classes on board. It is also often used for putting newspapers at the entrance of airplanes when passengers are boarding.

The redesigned foldable carts are ergonomic, lightweight, user friendly and easily foldable.

Egret provides both 2 and 3-layer foldable carts, mainly with customized dimensions.



Foldable Carts:

Part Number	Dimensions (mm)	Remarks
F30001-N03	910 × 390 × 870	3 Shelves
F30001-N02	1182 × 390 × 867	3 Shelves, w/ Extendable Top Tables & Wine Racks
FT3003-101	735 × 375 × 821	3 Shelves, Stainless Steel Frame
FT2004-101	740 × 380 × 783	2 Shelves, Stainless Steel Frame

Baby Bassinet

Baby bassinets are used to ensure safety and provide convenience for babies during long-haul flight.

Egret baby bassinets are made of high-grade aluminum alloy tube, stainless steel hardware, and flame retardant fabric, with easy handling and installation.

Egret provides both 2 and 3-pin mounted baby bassinets.



Baby Bassinets:

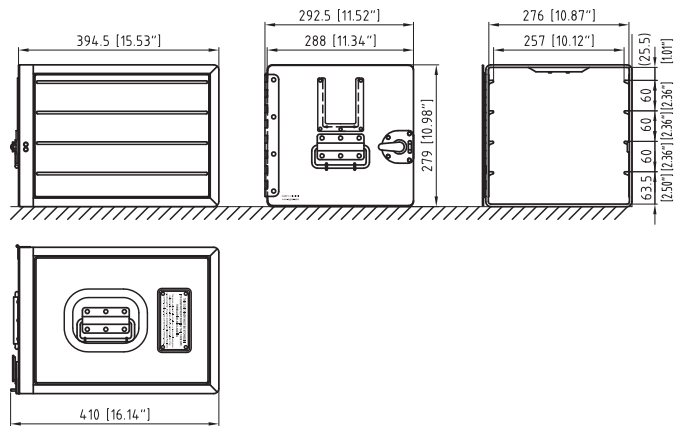
Part Number	Dimensions (mm)	Remarks
B20001-N01	812 x 375 x 290	2 Pin Mounted
B30001-N01	812 x 373 x 336	3 Pin Mounted

Standard Container

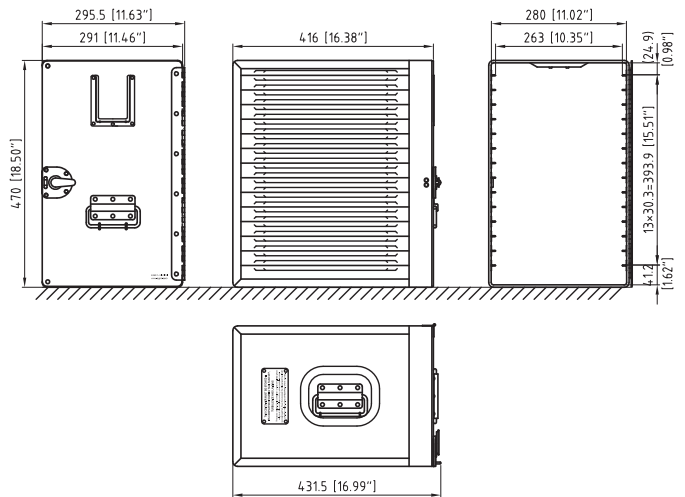
Egret's ATLAS and KSSU standard containers (also often called standard unit or meal carrier) featured lightweight with patented and proven slam lock. ATLAS and KSSU containers with twist lock also available on customers' request.

Half size ATLAS standard containers are the most common items while full size ATLAS standard containers can be supplied on demand.

Full size KSSU standard containers are the most common items while half or middle size KSSU standard containers can be supplied on demand. Customized designs are also possible.



P/N: CH0001-A01



P/N: CF0005-K01

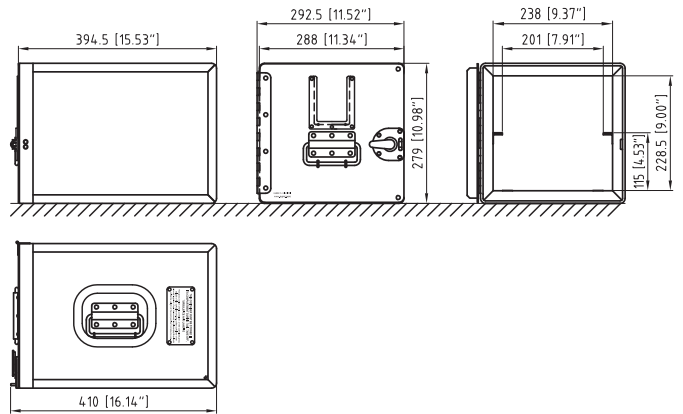
Standard Containers:

Part Number	Empty Weight (kg/lb)	Remarks
CH0001-A01	2.7 / 6.0	Patented Slam Lock, ATLAS
CF0005-K01	4.9 / 10.8	Patented Slam Lock, KSSU
CH0007-A03	2.9 / 6.4	Swivel Lock, ATLAS

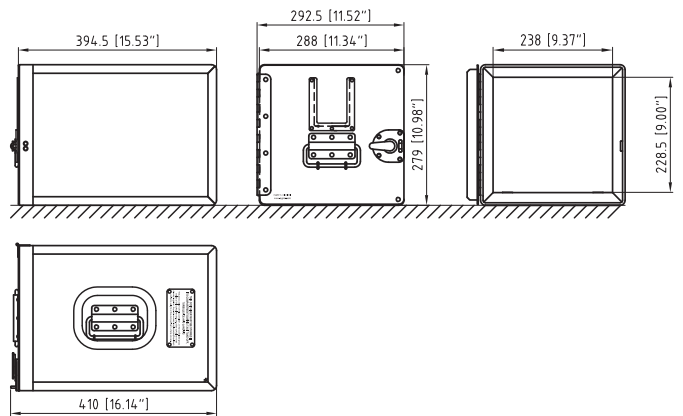
Ice Container

Ice containers are normally used to keep ice for drink service onboard.

While the most common ice containers fit ATLAS galleys, there are also KSSU ice containers occasionally in use. Egret's ice containers with patented and proven slam lock or twist lock are available on customers' request.



P/N: CH0003-N01



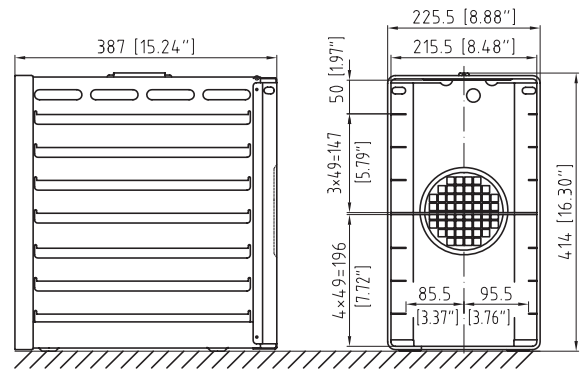
P/N: CH0003-N02

Ice Containers:

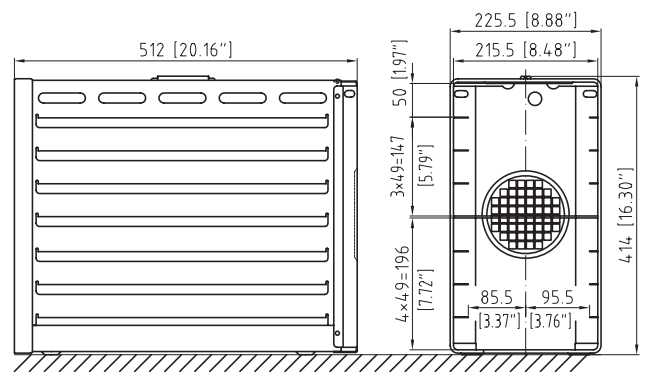
Part Number	Empty Weight (kg/lb)	Remarks
CH0003-N01	4.8 / 10.6	Slam Lock, ATLAS, 2 Drawers (P/N: DS0007-N01)
CH0003-N02	4.5 / 9.9	Slam Lock, ATLAS, 1 Drawer (P/N: DH0028-N01)
CF0017-N01	7.7 / 17.0	Slam Lock, KSSU, 2 Drawers (P/N: DH0025-N01)

Oven Rack

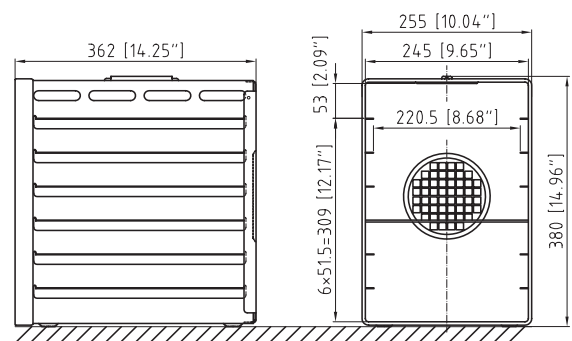
Egret offers the most popular ATLAS oven rack (for 32 meals), ATLAS extended oven rack (for 48 meals), KSSU oven rack (for 28 meals), ACE oven rack (with 4 to 6 trays) as well as customized ones. High quality aluminum trays for oven racks can be purchased with oven racks or separately.



P/N: R80001-A01



P/N: R80004-A01



P/N: R70005-K01

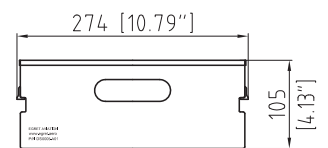
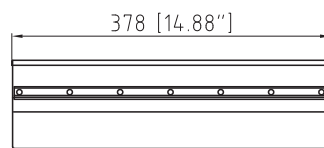
Oven Racks:

Part Number	Empty Weight (kg/lb)	Remarks
R80001-A01	2.0 / 4.4	ATLAS, for 32 Meals. Tray Size: 370x213x15.5mm
R80004-A01	2.5 / 5.5	Extended ATLAS, for 48 Meals. Tray Size: 495x213x15.5mm
R70005-K01	1.9 / 4.2	KSSU, for 28 Meals. Tray Size: 356x242x13.5mm

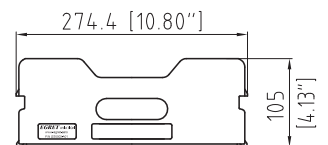
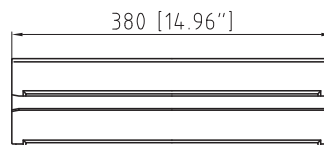
Drawer

Aluminum drawers are anodized in natural color, and can be of ATLAS, KSSU and customized dimensions. Customers are able to choose embossed or engraved logo. We have both reduced weight and perforated aluminum drawers.

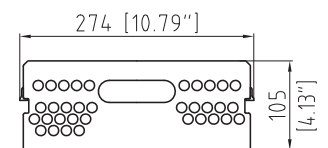
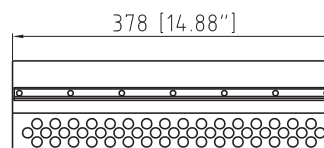
Our polypropylene (PP) drawers suit most airlines which use ATLAS equipment. Standard PP drawers are translucent white while customized colors can be opted. Molded or silkscreen logo are at customers' choice. Aluminum and plastic glass drawers with partitions are available for certain sizes of glasses.



P/N: DS0005-A01



P/N: DS0003-A01



P/N: DS0001-A02

Drawers:

Part Number	Empty Weight (kg/lb)	Remarks
DS0005-A01	0.70 / 1.54	ATLAS Aluminum Drawer
DS0003-A01	0.67 / 1.48	ATLAS PP Drawer
DS0033-A01	0.65 / 1.43	ATLAS PP Drawer (3 Runners)
DS0001-A02	0.49 / 1.08	ATLAS Perforated Aluminum Drawer (Lightweight)
DS0013-K01	0.80 / 1.76	KSSU Aluminum Drawer

PRODUCT OPTIONS

Top



Pull-out Table



Flip Top Table



Detachable Table



Dry Ice Tray



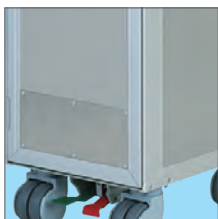
Body



Sublimation



Chiller Vents



Kick Plate



Card Holder



Sticker Plate



Embossed Logo



Silk Screen Logo



Logo Plate

Base



Standard Castors



Lightweight Castors

Container



Slam Lock



Swivel Lock



Powder Coated



Sublimation



Double Catch



Embossed Logo



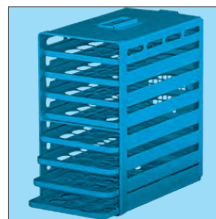
Laser Marking



Oven Rack & Trays



Embossed Logo



Coloured Anodisation



Stamped Marking



* Contact us for more customisations. *

No.	Description	P/N	Dimensions (mm)		
			L	W	H
1	ATLAS FS Cart w/ Dry Ice Trays, M-1 Series	T150A05()	810	301	1030
2	ATLAS FS Cart w/ Dry Ice Trays & Chiller Vents, M-1 Series	T150A04()	810	301	1030
3	ATLAS FS Cart w/o Dry Ice Tray, M-1 Series	T151A05()	810	301	1030
4	ATLAS FS Cart w/ Dry Ice Trays	TF0001-A02	810	301	1030
5	ATLAS FS Cart w/ Dry Ice Trays & Chiller Vents	TF0001-A01	810	301	1030
6	ATLAS FS Cart w/o Dry Ice Tray	TF0005-A01	810	301	1030
7	ATLAS FS Cart w/ Dry Ice Trays, Lightweight	TF0021-A01	810	301	1030
8	ATLAS FS Cart w/ Dry Ice Trays & Chiller Vents, Lightweight	TF0021-A02	810	301	1030
9	ATLAS FS Cart w/o Dry Ice Tray, Lightweight	TF0022-A01	810	301	1030
10	KSSU FS Cart w/ Dry Ice Trays	TF0068-K01	840	305	1030
11	KSSU FS Cart w/ Dry Ice Trays & Chiller Vents	TF0068-K02	840	305	1030
12	ACE FS Cart w/ Dry Ice Trays	TF0066-A01	857	301	965
13	FS Sales Cart	TF0020-A02	810	301	1030
14	FS Container Cart (Space Frame)	TF0026-A01	816	304	1030
15	ATLAS HS Cart w/ Dry Ice Tray, M-1 Series	T400A05()	405	301	1030
16	ATLAS HS Cart w/o Dry Ice Tray, M-1 Series	T401A05()	405	301	1030
17	ATLAS HS Cart w/ Dry Ice Tray	TH0003-A01	405	301	1030
18	ATLAS HS Cart w/ Dry Ice Tray & Chiller Vents	TH0003-A05	405	301	1030
19	ATLAS HS Cart w/o Dry Ice Tray	TH0004-A01	405	301	1030
20	ATLAS HS Cart w/ Dry Ice Tray, Lightweight	TH0023-A01	405	301	1030
21	ATLAS HS Cart w/ Dry Ice Tray & Chiller Vents, Lightweight	TH0023-A05	405	301	1030
22	ATLAS HS Cart w/o Dry Ice Tray, Lightweight	TH0024-A01	405	301	1030
23	ATLAS HS Cart w/ Dry Ice Tray, w/ Flip Table	TH0003-A07	405	301	1030
24	ATLAS HS Cart w/ Dry Ice Tray, w/ Flip Table, Lightweight	TH0023-A02	405	301	1030
25	ATLAS HS Cart w/o Dry Ice Tray, w/ Pull-out Table	TH0025-A01	405	301	1030
26	ATLAS HS Cart w/o Dry Ice Tray, w/ Flip Table & Pull-out Table	TH0025-A02	405	301	1030
27	KSSU HS Cart w/ Dry Ice Tray	TH0072-K01	420	305	1030
28	KSSU HS Cart w/ Dry Ice Tray & Chiller Vents	TH0072-K02	420	305	1030
29	ACE HS Cart w/ Dry Ice Tray	TH0067-A01	436	301	965
30	ATLAS FS Waste Cart Top/Door Load, M-1 Series	T610A04()	810	301	1030
31	ATLAS FS Waste Cart Top Load, M-1 Series	T610A05()	810	301	1030
32	ATLAS FS Waste Cart Top/Door Load	TF0011-A01	810	301	1030
33	ATLAS FS Waste Cart Top Load	TF0011-A02	810	301	1030
34	ATLAS FS Waste Cart Top/Door Load, Lightweight	TF0011-A03	810	301	1030
35	ATLAS FS Waste Cart Top Load, Lightweight	TF0011-A04	810	301	1030
36	ATLAS HS Waste Cart Top/Door Load, M-1 Series	T660A04()	405	301	1030
37	ATLAS HS Waste Cart Top Load, M-1 Series	T660A05()	405	301	1030
38	ATLAS HS Waste Cart Top/Door Load	TH0007-A01	405	301	1030
39	ATLAS HS Waste Cart Top Load	TH0007-A02	405	301	1030
40	ATLAS HS Waste Cart Top/Door Load, Lightweight	TH0007-A03	405	301	1030
41	ATLAS HS Waste Cart Top Load, Lightweight	TH0007-A04	405	301	1030
42	Folding Cart, 3 shelves	F30001-N03	910	390	870

MAIN PRODUCTS



B20001-N01



CH0001-A01



CH0007-A03



CF0005-K01



CH0003-N01



R80001-A01



R80004-A01



R70005-K01



R50011-N01



R40012-N01



YS0002-A02



YS0005-A01



YS0006-K01



DS0005-A01



DS0001-A02



DS0003-A01



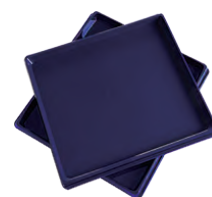
DS0033-A01



DS0029-A01



MM0023-A01



MM0023-A03



MM0023-A02



MM0044-A01
MM0041-A01



MM0045-A01
MM0042-A01



MM0016-A01
MM0008-A01



MM0006-A01
MM0007-A01

No.	Description	P/N	Dimensions (mm)		
			L	W	H
43	Folding Cart, 3 shelves, w/ Extendable Top Tables & Wine Racks	F30001-N02	1182	390	867
44	Baby Bassinet, 2 Pin Mounted	B20001-N01	812	375	290
45	Baby Bassinet, 3 Pin Mounted	B30001-N01	812	375	236
46	ATLAS Standard Container, Slam Lock	CH0001-A01	410	293	279
47	ATLAS Standard Container, Slam Lock, Powder Coated	CH0001-A03	410	293	279
48	ATLAS Standard Container, Slam Lock, Double Catch	CH0001-A04	410	293	279
49	ATLAS Standard Container, Swivel Lock	CH0007-A03	408	293	279
50	ATLAS Standard Container, Swivel Lock, Powder Coated	CH0007-A04	408	293	279
51	KSSU Standard Container, Slam Lock	CF0005-K01	431	296	470
52	ATLAS Ice Container, 2 Drawers	CH0003-N01	410	293	279
53	ATLAS Ice Container, 1 Drawer	CH0003-N02	410	293	279
54	KSSU Ice Container, 2 Drawers	CF0017-N01	431	296	470
55	ATLAS Container (for Container Cart)	CF0008-A01	408	287	424
56	ACE Standard Container	CH0012-A01	433	293	279
57	ATLAS Oven Rack	R80001-A01	387	226	414
58	ATLAS Extended Oven Rack	R80004-A01	512	226	414
59	KSSU Oven Rack	R70005-K01	362	255	380
60	ACE Oven Rack (for 5 Trays)	R50011-N01	382	312	240
61	ACE Oven Rack (for 4 Trays)	R40012-N01	382	312	240
62	ATLAS Aluminium Oven Tray	YS0002-A02	370	213	16
63	ATLAS Extended Aluminium Oven Tray	YS0005-A01	495	213	16
64	KSSU Aluminium Oven Tray	YS0006-K01	356	242	14
65	ACE Aluminium Oven Tray	YS0023-N01	372	297	19
66	ATLAS Aluminium Drawer	DS0005-A01	378	274	105
67	ATLAS Perforated Aluminium Drawer	DS0001-A02	378	274	105
68	ATLAS Plastic Drawer	DS0003-A01	380	274	105
69	ATLAS Plastic Drawer (3 Runners)	DS0033-A01	378	274	110
70	Glass Rack (for 24 Glasses)	DS0029-A01	380	273	114
71	ATLAS 1/1 Meal Tray	MM0023-A01	380	272	18
72	ATLAS 2/3 Meal Tray	MM0023-A03	272	255	18
73	ATLAS 1/2 Meal Tray	MM0023-A02	272	191	18
74	Aluminium Ice Drawer (for Ice Container CH0003-N01)	DS0007-N01	333	230	100
75	Aluminium Ice Drawer (for Ice Container CH0003-N02)	DH0028-N01	333	230	210
76	Aluminium Ice Drawer (for Ice Container CF0017-N01)	DH0025-N01	356	230	180
77	FS Waste Bin Top Load	MM0044-A01	780	264	830
78	FS Waste Bin Top/Door Load	MM0041-A01	780	264	830
79	HS Waste Bin Top Load	MM0045-A01	375	264	830
80	HS Waste Bin Top/Door Load	MM0042-A01	375	264	600
81	FS Waste Bin Top Load	MM0016-A01	780	264	850
82	FS Waste Bin Top/Door Load	MM0008-A01	780	264	645
83	HS Waste Bin Top Load	MM0006-A01	375	264	850
84	HS Waste Bin Top/Door Load	MM0007-A01	375	264	645

EGRET

Egret Aviation Co., Ltd

Address: 71 Jiangpu Road
Suzhou, Jiangsu 215126, China

Tel: +86 512 6238 7800

Email: info@egret.aero

Website: www.egret.aero

 **EGRET Aviation**